

» FTW04 (x) RS485 BACnet MS/TP

Room sensor/ Room operating unit/ Room controller
Relative humidity and temperature

thermokon[®]
HOME OF SENSOR TECHNOLOGY

Datasheet

Subject to technical alteration
Issue date: 07.08.2019 • A100



Illustration similar, depending on the type

» APPLICATION

The surface-mounted sensor measures relative humidity and temperature of air and non-aggressive indoor gases. Moisture detection makes it possible to achieve a pleasant indoor climate and prevent mold. The accuracy of the humidity sensor is 2%. The device can be mounted directly on the wall, on a flush-mounted box or in conjunction with a surface-mounted frame available as an accessory. Predetermined breaking points for surface-mounted installations are available.

» TYPES AVAILABLE

Room controller temperature – active BUS

FTW04 (x) AO2V RS485 BACnet MS/TP

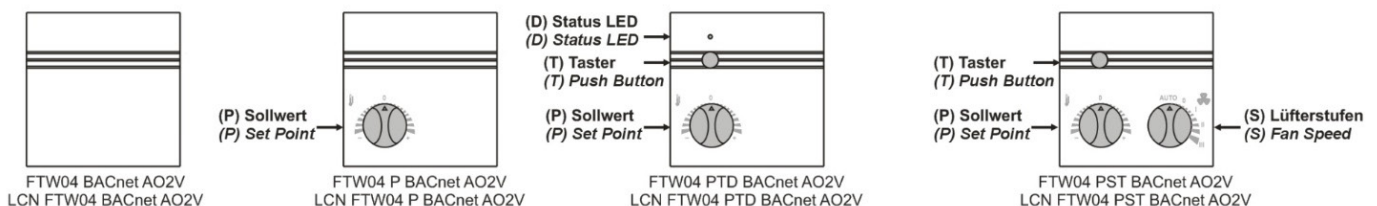
optional operating elements

P = Potentiometer – Set point adjustment

T = Button – Occupancy

S = Rotary switch – Fan speed adjustment

FSx = Number of switching stages



» SECURITY ADVICE – CAUTION



The installation and assembly of electrical equipment should only be performed by authorized personnel.

The product should only be used for the intended application. Unauthorised modifications are prohibited! The product must not be used in relation with any equipment that in case of a failure may threaten, directly or indirectly, human health or life or result in danger to human beings, animals or assets. Ensure all power is disconnected before installing. Do not connect to live/operating equipment.

Please comply with

- Local laws, health & safety regulations, technical standards and regulations
- Condition of the device at the time of installation, to ensure safe installation
- This data sheet and installation manual

» NOTES ON DISPOSAL



As a component of a large-scale fixed installation, Thermokon products are intended to be used permanently as part of a building or a structure at a pre-defined and dedicated location, hence the Waste Electrical and Electronic Act (WEEE) is not applicable. However, most of the products may contain valuable materials that should be recycled and not disposed of as domestic waste. Please note the relevant regulations for local disposal.

» REMARKS TO ROOM SENSORS

Location and Accuracy of Room Sensors

The room sensor should be mounted in a suitable location for measuring accurate room temperature. The accuracy of the temperature measurement also depends directly on the temperature dynamics of the wall. It is important, that the back plate is completely flush to the wall so that there is sufficient circulation of air through the vents in the cover, otherwise, deviations in temperature measurement will occur due to uncontrolled air circulation. The temperature sensor should not be covered by furniture or other objects. Mounting next to doors (due to draught) or windows (due to colder outside wall) should be avoided.

Surface and Flush Mounting

The measuring result is influenced by the thermal characteristics of the wall. A solid concrete wall responds to thermal fluctuations within a room in a much slower than a light-weight structure wall. Room temperature sensors installed in flush-mounted boxes have a longer response time to thermal variations. In extreme cases they detect the radiant heat of the wall even if the air temperature in the room is lower for example. The quicker the dynamics of the wall (temperature acceptance of the wall) or the longer the selected inquiry interval of the temperature sensor is the smaller the deviations limited in time are.

» BUILD-UP OF SELF-HEATING BY ELECTRICAL DISSIPATIVE POWER

Temperature sensors with electronic components always have a dissipative power, which affects the temperature measurement of the ambient air. The dissipation in active temperature sensors shows a linear increase with rising operating voltage. This dissipative power has to be considered when measuring temperature. In case of a fixed operating voltage ($\pm 0,2$ V) this is normally done by adding or reducing a constant offset value. As Thermokon transducers work with a variable operating voltage, only one operating voltage can be taken into consideration, for reasons of production engineering. Transducers 0..10 V / 4..20 mA have a standard setting at an operating voltage of 24 V =. That means, that at this voltage, the expected measuring error of the output signal will be the least. For other operating voltages, the offset error will be increased or lowered by a changing power loss of the sensor electronics. If a re-calibration should become necessary later directly on the sensor, this can be done by means of a trimming potentiometer on the sensor board.

Remark: Occurring draft leads to a better carrying-off of dissipative power at the sensor. Thus temporally limited fluctuations might occur upon temperature measurement.

» APPLICATION NOTICE FOR HUMIDITY SENSORS

Refrain from touching the sensitive humidity sensor/element. Touching the sensitive surface will void warranty.

For standard environmental conditions re-calibration is recommended once a year to maintain the specified accuracy.

When exposed to high ambient temperature and/or high levels of humidity or presence of aggressive gases (i.e. chlorine, ozone, ammonia) the sensor element may be affected and re-calibration may be required sooner than specified. Re-calibration and deterioration of the humidity sensor due to environmental conditions are not subject of the general warranty.

» MOUNTING ADVICES

Make sure that the device is power-off, if you install it!

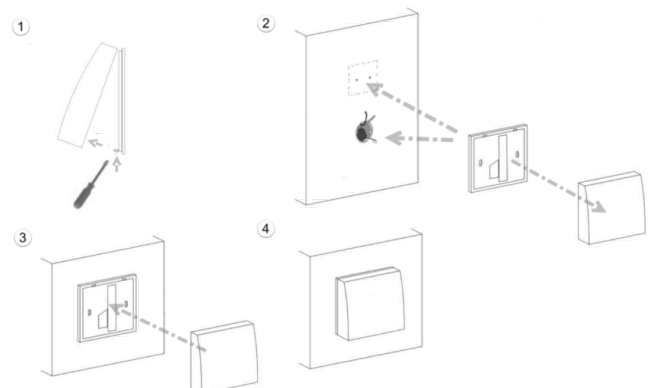
The device can be installed on a smooth wall surface or a flush box. It should be selected a representative location for the measuring medias. The use of deep installation boxes is recommended due to the increased storage capacity for the cabling.

Sunlight and drafts e.g. in conduit must be avoided so that the measuring result is not distorted. If necessary, is the end of the installation tube seal

(1) For wiring, the upper part of the base plate must be solved. Base plate and upper part are connected with each other by mounting clips.

(2) The installation of the base plate to the smooth wall surface can be done with plugs and screws.

(3) Then, the device is placed on the base plate.



» TECHNICAL DATA

Measuring values	temperature, humidity	
Output voltage	2x 0..10 V, (min. load 10 kΩ)	
Network technology	RS485 BACnet MS/TP	
Power supply	15..24 V = (±10%) (or 24 V ~ (±10%))* SELV	
Power consumption	typ. 0,4 W (24 V =) 0,6 VA (24 V ~)	
Measuring range temperature	0..+50 °C	
Measuring range humidity	0..100% rH non-condensing	
Accuracy temperature	±0,5 K (typ. at 21 °C)	
Accuracy humidity	±2% between 10..90% rH (typ. at 21 °C)	
Inputs	2 inputs for floating contacts	
Set point (P) (optional)	set point adjustment	
Rotary switch (S) (optional)	setpoint adjustment (max. 5 stages), 2-stages (0,I), 3-stages (0,I,II), 4-stages (0,I,II,III) or 5-stages (Auto,0, I, II, III)	
Button (T) (optional)	presence detection	
LED (D) (optional)	status feedback, colour green, red or yellow	
Functions	with integrated PI controller	
Labelling	rotary switch 0,I or 0,I,II or 0,I,II,III or Auto,0,I,II,III	set point -,0,+
Enclosure	PC, pure white	
Protection	IP30 according to EN 60529	
Cable entry	breaking points top/bottom, rear entry	
Connection electrical	terminal block, max. 1,5 mm ²	
Ambient condition	-35..+70 °C, max. 85% rH non-condensing	
Mounting	surface mounted on flush-mounting box (Ø=60 mm), or to be mounted flat onto the surface using screws, with frame for surface mounting (accessory) or directly on the wall, base part can be mounted and wired separately	
Notes	special painting available on request, enclosure stainless steel available, labelling and operating elements on request, other sensors on request	

*Power supply

When several BUS devices are supplied by one 24 V AC voltage supply, it is to be ensured that all "positive" operating voltage input terminals (+) of the field devices are connected with each other and all "negative" operating voltage input terminals (-) (=reference potential) are connected together (in-phase connection of field devices).

In case of reversed polarity at one field device, a supply voltage short-circuit would be caused by that device. The consequential short-circuit current flowing through this field may cause damage to it.

Therefore, pay attention to correct wiring.

» PRODUCT TESTING AND CERTIFICATION



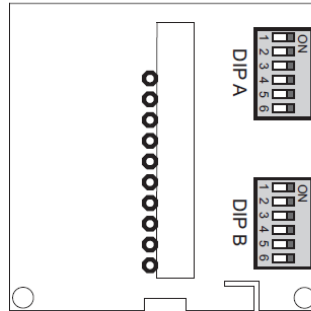
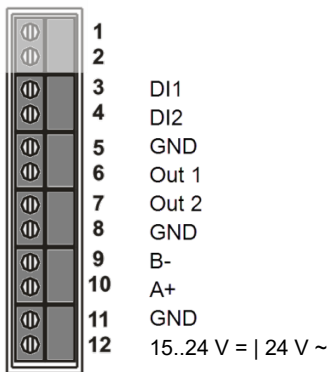
Declaration of conformity

The declaration of conformity of the products can be found on our website <https://www.thermokon.de/>.

» CONNECTION PLAN

FTW04 (x) BACnet AO2V

The address setting is performed binary coded.



Geräteadresse / Device Address

DIP A

ON

1 2 3 4 5 6

DIP B

ON

1

1	2	3	4	5	6	1	Adresse / Address
off	off	off	off	off	off	off	0
on	off	off	off	off	off	off	1
off	on	off	off	off	off	off	2
:	:	:	:	:	:	:	:
off	on	on	on	on	on	on	126
on	on	on	on	on	on	on	127

Baudrate

DIP B

ON

2 3 4 5 6

2	3	4	Baud
off	off	off	9600
on	off	off	19200
off	on	off	38400
on	on	off	57600
off	off	on	76800

Abschluss / Termination

DIP B

5

off reserviert / reserved

on reserviert / reserved

DIP B

6

off inaktiv (Standard / default)

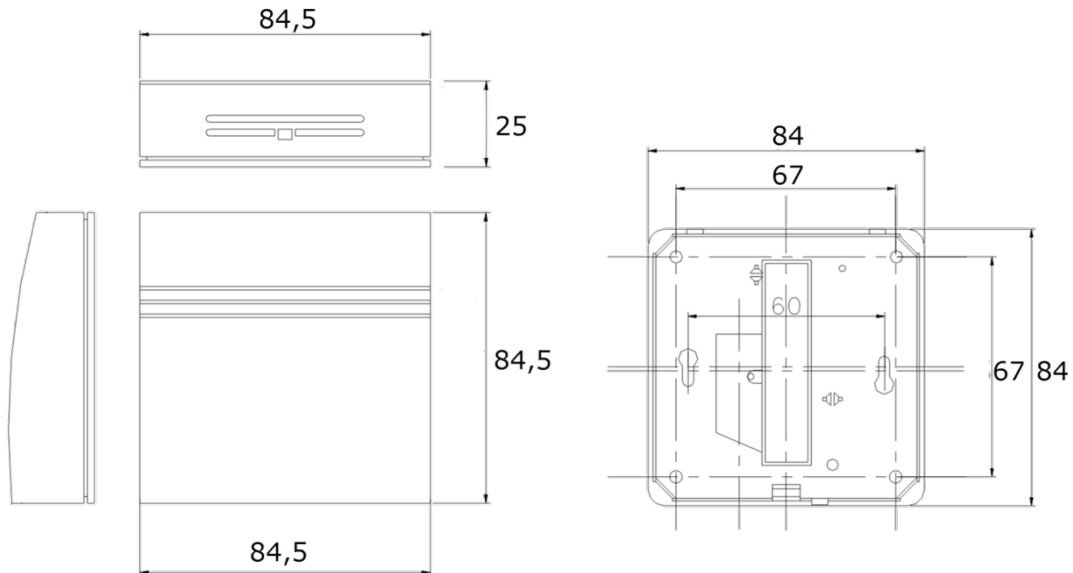
on 120Ohm



BACnet Objects/ PICS and BIBBs :
FTW04-RS485 BACnet MS/TP Interface

A detailed description of the Modbus addresses can be found under the following link:
→ [Download](#)

» DIMENSIONS (MM)



» ACCESSORIES (OPTIONAL)

- Rawl plugs and screws (2 pcs. each)
- Frame for surface mounting WRF04
- Balls stroke protection BS100 (only for WRF04)

- Item No. 102209
- Item No. 111584
- Item No. 103312