

Datasheet

Subject to technical alteration
Issue date: 13.08.2019 · A101

**» APPLICATION**

The surface-mounted sensor measures relative humidity and temperature of air and non-aggressive indoor gases. Moisture detection makes it possible to achieve a pleasant indoor climate and prevent mold. The accuracy of the humidity sensor is 2%. The device can be mounted directly on the wall, on a flush-mounted box or in conjunction with a surface-mounted frame available as an accessory. Predetermined breaking points for surface-mounted installations are available. Optionally, the device can be supplied with a passive temperature sensor e.g. PT100, PT1000, NTC10k etc.

» TYPES AVAILABLE

Room sensor temperature + humidity – active VV 2x 0..10 V | AA 2x 4..20 mA

FTW04 VV
FTW04 AA

Room sensor temperature + humidity with display (only with type VV) – active VV 2x 0..10 V

FTW04 LCD VV

Options: Additional passive temperature sensor (type VVS|AAS)

eg: PT100/PT1000/NI1000/NI1000TK5000/LM235Z/NT... and other sensors on request

» SECURITY ADVICE – CAUTION

The installation and assembly of electrical equipment should only be performed by authorized personnel.

The product should only be used for the intended application. Unauthorised modifications are prohibited! The product must not be used in relation with any equipment that in case of a failure may threaten, directly or indirectly, human health or life or result in danger to human beings, animals or assets. Ensure all power is disconnected before installing. Do not connect to live/operating equipment.

Please comply with

- Local laws, health & safety regulations, technical standards and regulations
- Condition of the device at the time of installation, to ensure safe installation
- This data sheet and installation manual

» NOTES ON DISPOSAL



As a component of a large-scale fixed installation, Thermokon products are intended to be used permanently as part of a building or a structure at a pre-defined and dedicated location, hence the Waste Electrical and Electronic Act (WEEE) is not applicable. However, most of the products may contain valuable materials that should be recycled and not disposed of as domestic waste. Please note the relevant regulations for local disposal.

» REMARKS TO ROOM SENSORS

Location and Accuracy of Room Sensors

The room sensor should be mounted in a suitable location for measuring accurate room temperature. The accuracy of the temperature measurement also depends directly on the temperature dynamics of the wall. It is important, that the back plate is completely flush to the wall so that the circulation of air occurs through the vents in the cover. Otherwise, deviations in temperature measurement will occur due to uncontrolled air circulation. Also the temperature sensor should not be covered by furniture or similar devices. Mounting next to doors (due to draught) or windows (due to colder outside wall) should be avoided.

The temperature dynamics of the wall will influence the temperature measurement. Various wall types (brick, concrete, dividing and hollow brickwork) all have different behaviours with regards to thermal variations.

Surface and Flush Mounting

The temperature dynamics of the wall influence the measurement result of the sensor. Various wall types (brick, concrete, dividing and hollow brickwork) have different behaviours with regard to thermal variations. A solid concrete wall responds to thermal fluctuations within a room in a much slower way than a light-weight structure wall. Room temperature sensors installed in flush boxes have a longer response time to thermal variations. In extreme cases they detect the radiant heat of the wall even if the air temperature in the room is lower for example. The quicker the dynamics of the wall (temperature acceptance of the wall) or the longer the selected inquiry interval of the temperature sensor is the smaller the deviations limited in time are.

» BUILD-UP OF SELF-HEATING BY ELECTRICAL DISSIPATIVE POWER

Temperature sensors with electronic components always have a dissipative power, which affects the temperature measurement of the ambient air. The dissipation in active temperature sensors shows a linear increase with rising operating voltage. This dissipative power has to be considered when measuring temperature. In case of a fixed operating voltage ($\pm 0,2$ V) this is normally done by adding or reducing a constant offset value. As Thermokon transducers work with a variable operating voltage, only one operating voltage can be taken into consideration, for reasons of production engineering. Transducers 0..10 V / 4..20 mA have a standard setting at an operating voltage of 24 V =. That means, that at this voltage, the expected measuring error of the output signal will be the least. For other operating voltages, the offset error will be increased by a changing power loss of the sensor electronics. If a re-calibration should become necessary later directly on the sensor, this can be done by means of a trimming potentiometer on the sensor board.

Remark: Occurring draft leads to a better carrying-off of dissipative power at the sensor. Thus temporally limited fluctuations might occur upon temperature measurement.

» APPLICATION NOTICE FOR HUMIDITY SENSORS

Refrain from touching the sensitive humidity sensor/element. Touching the sensitive surface will void warranty.

For standard environmental conditions re-calibration is recommended once a year to maintain the specified accuracy.

When exposed to high ambient temperature and/or high levels of humidity or presence of aggressive gases (i.e. chlorine, ozone, ammonia) the sensor element may be affected and re-calibration may be required sooner than specified. Re-calibration and deterioration of the humidity sensor due to environmental conditions are not subject of the general warranty.

» PRODUCT TESTING AND CERTIFICATION



Declaration of conformity

The declaration of conformity of the products can be found on our website <https://www.thermokon.de/>.

» **TECHNICAL DATA**

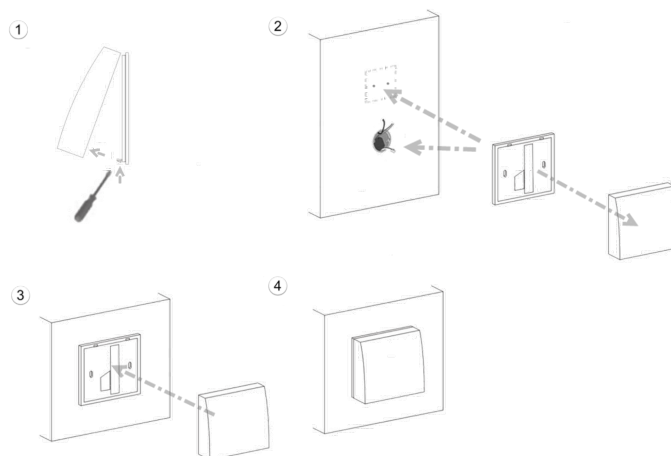
Measuring values	temperature, humidity		
Output voltage	VV VVS 2x 0..10 V 2x 0..10 V (min. load 10 kΩ) + passive sensor,		
Output Amp	AA AAS 2x 4..20 mA 2x 4..20 mA (max. load 500 Ω) + passive sensor		
Power supply	VV VVS 15..24 V = (±10%) or 24 V ~ (±10%) SELV	AA AAS 15..24 V = (±10%) SELV	
Power consumption	VV VVS max. 0,3 W (24 V =) 0,5 VA (24 V ~)	AA AAS max. 1 W (24 V =)	
Measuring range temperature	VV AA 0..+50 °C	LCD VV 0..+50 °C (Standard) -15..+35 °C configurable via Jumper	passive depending on used sensor
Measuring range humidity	0..100% rH non-condensing		
Accuracy temperature	active ±0,5 °C (typ. at 25 °C)	passive depending on used sensor	
Accuracy humidity	±2% between 10..90% rH (typ. at 21 °C)		
Display optional, only VV	(LCD) VV LCD 29x12 mm, monochrome, optional		
Enclosure	PC, pure white		
Protection	IP30 according to EN 60529		
Cable entry	predetermined breaking points at the bottom, top, opening at the rear		
Connection electrical	terminal block, max. 1,5 mm ²		
Ambient condition	-20..+70 °C		
Mounting	surface mounted on flush-mounting box (Ø=60 mm), or to be mounted flat onto the surface using screws, with frame for surface mounting (accessory) or directly on the wall, base part can be mounted and wired separately		
Notes	special painting available on request, additional passive sensor available (type VVS/AAS)		

» **MOUNTING ADVICES**

The device may be installed in a voltage free condition only.

The device can be installed on a flush-mounted box or directly onto the wall.

If installed on a flush-mounted box, seal the pipe to eliminate drafts



» CONNECTION PLAN

Please note the revision at the terminal assignment.

1	2	3	4	5	6	7	8	9	10	11	12
LED+	Sensor	Sensor	Temp 0...10V	rF / rH 0...10V	GND	24V AC/DC	Poti A	Poti OUT	Poti B	Taster Button	Taster Button

FTW04 VVS

1	2	3	4	5	6	7	8	9	10	11	12
rF / rH - 4...20mA	+24V DC	Temp- 4...20mA	LED+	LED-	Sensor	Sensor	Poti A	Poti OUT	Poti B	Taster Button	Taster Button

FTW04 AAS

1	2	3	4	5	6	7	8	9	10	11	12
LED+			Temp 0...10V	rF / rH 0...10V	GND	24V AC/DC	Poti A	Poti OUT	Poti B	Taster Button	Taster Button

FTW04 VV

1	2	3	4	5	6	7	8	9	10	11	12
rF / rH - 4...20mA	+24V DC	Temp- 4...20mA	LED+	LED-			Poti A	Poti OUT	Poti B	Taster Button	Taster Button

FTW04 AA, #609555 valid-from production date 15199

thermokon

Type: FTW04AA
rH: 0..100%
Temp.: 0..+50 °C
Out: 4..20 mA / 4..20 mA
Art.-Nr.: 000000609555
Made in Germany
FCC This device complies with FCC rules part 15, subpart B, class B

15199

IP30

CE

FC

1	2	3	4	5	6	7	8	9	10	11	12
Temp- 4...20mA	+24V DC	rF / rH - 4...20mA	LED+	LED-			Poti A	Poti OUT	Poti B	Taster Button	Taster Button

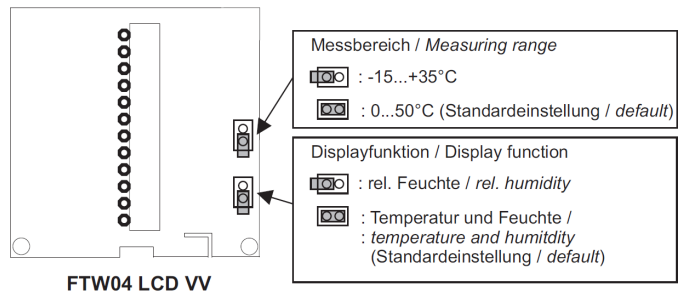
FTW04 AA, #429362 valid-to production date 15190

Note (type FTW04-AA/AAS)

When only using the temperature output, the humidity output must always be connected to mass/GND of the analog input module.

1	2	3	4	5	6	7	8	9	10	11	12
GND	24V AC/DC	Temp. 0...10V	rF / rH 0...10V								

FTW04 LCD VV

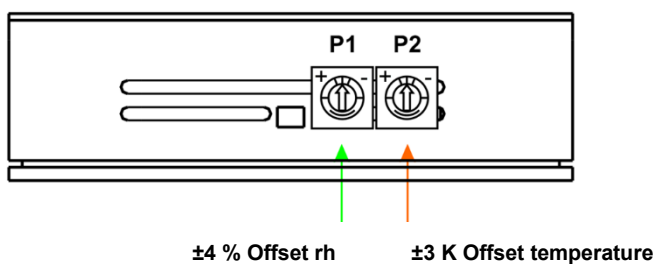


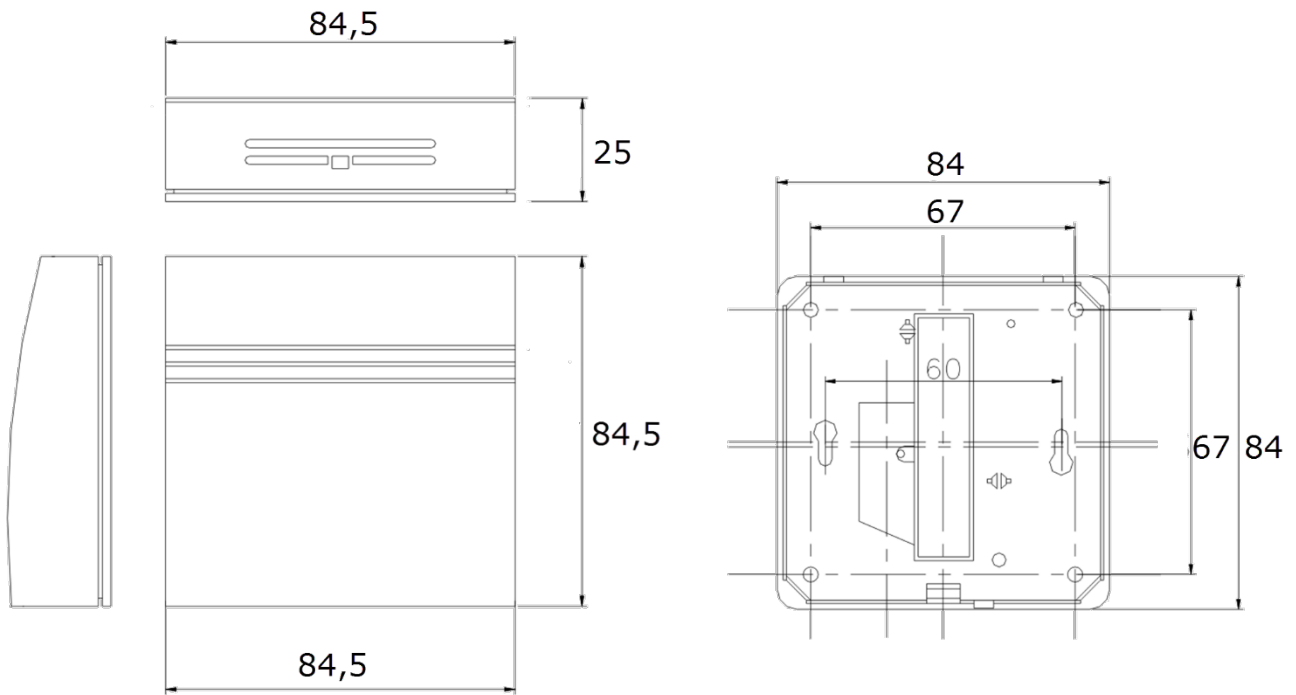
FTW04 LCD VV

FTW04 LCD VV

Depending on respective design, the device has a different configuration of terminals The connection plan attached to each device is valid!

» OFFSET ADJUSTMENT



» DIMENSIONS (MM)**» ACCESSORIES (OPTIONAL)**

Raw plugs and screws (2 pcs. each)
Frame for surface mounting WRF04

Item No. 102209
Item No. 111584